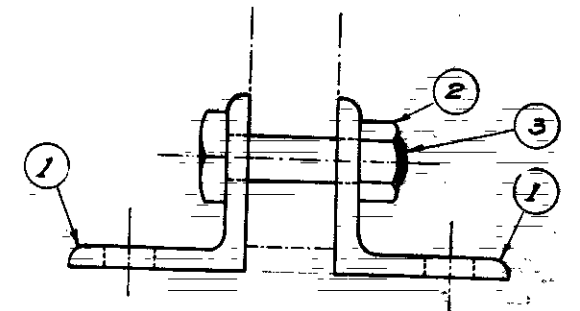
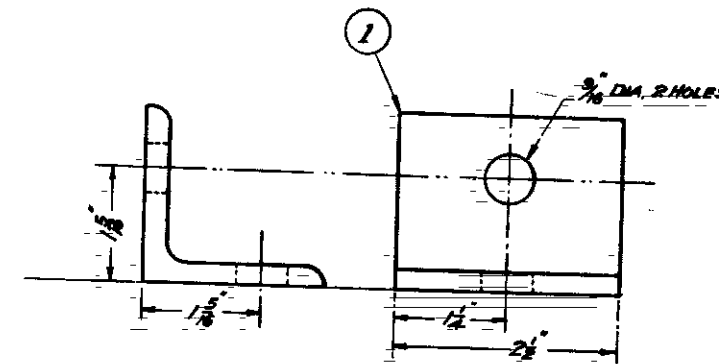
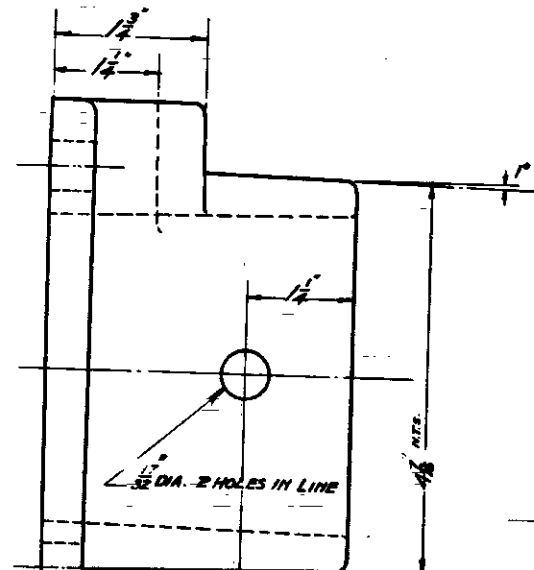


WESTINGHOUSE ELECTRIC & MFG. CO. CLEVELAND WORKS, CLEVELAND, OHIO, U.S.A.  
ANGLE PLATES FOR SCROLL

DESCRIP. & MATL.	PART. NO.	REQ.
1 ANGLE PLATE $2\frac{1}{2} \times 2\frac{1}{2} \times \frac{1}{4}$ S. ANGLE	135A	2
2 $\frac{1}{2}$ " HEX. S. NUT	135A	1
3 $\frac{1}{2}$ " $\times$ 2" SQ. HD. S. BOLT	135A	1

W. E. & M. CO'S. DWG. NO. **475689**

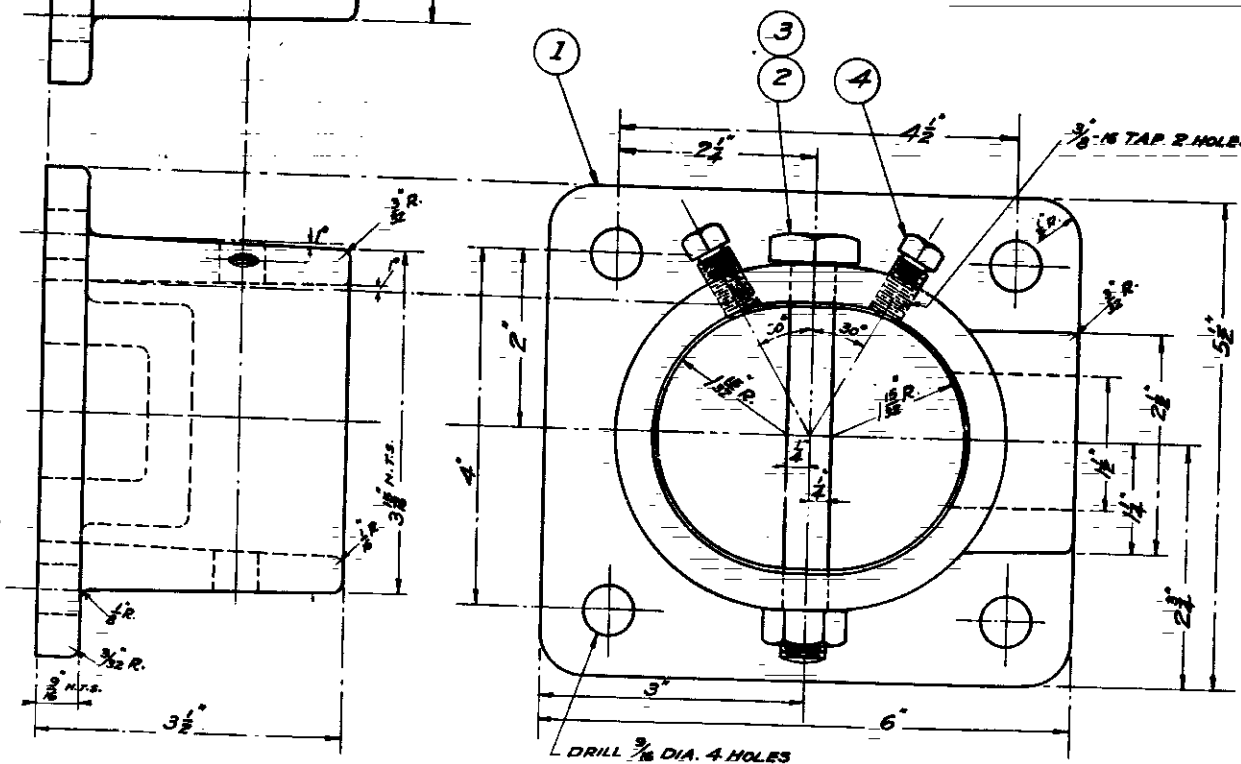
COMB. 1 ANGLE PLATE ASSY. - IT'S (1, 2, 3) - FIN. ZINC



WESTINGHOUSE ELECTRIC & MFG. CO. CLEVELAND WORKS, CLEVELAND, OHIO, U.S.A.  
WALL PLATE FOR SOLLUX TROLLEYLITE BRACKET  
ASSY. & DETAILS

QTY.	DESCRIP. & MATL.	PART. NO.	PART. NO.	REQ.
1	WALL PLATE C-1		767585A	1
2	$\frac{1}{4}$ " $\times$ 4 1/2" SQ. HD. S. BOLT	135A		1
3	$\frac{1}{2}$ " HEX. S. NUT	135A		1
4	$\frac{1}{8}$ " $\times$ 1/2" SQ. HD. S. SETSC.	135A		2

COMB. 1 WALL PLATE ASSY. - TT'S (1, 2, 4) - FIN. ZINC



W. E. & M. CO'S. DWG. NO. **767585**